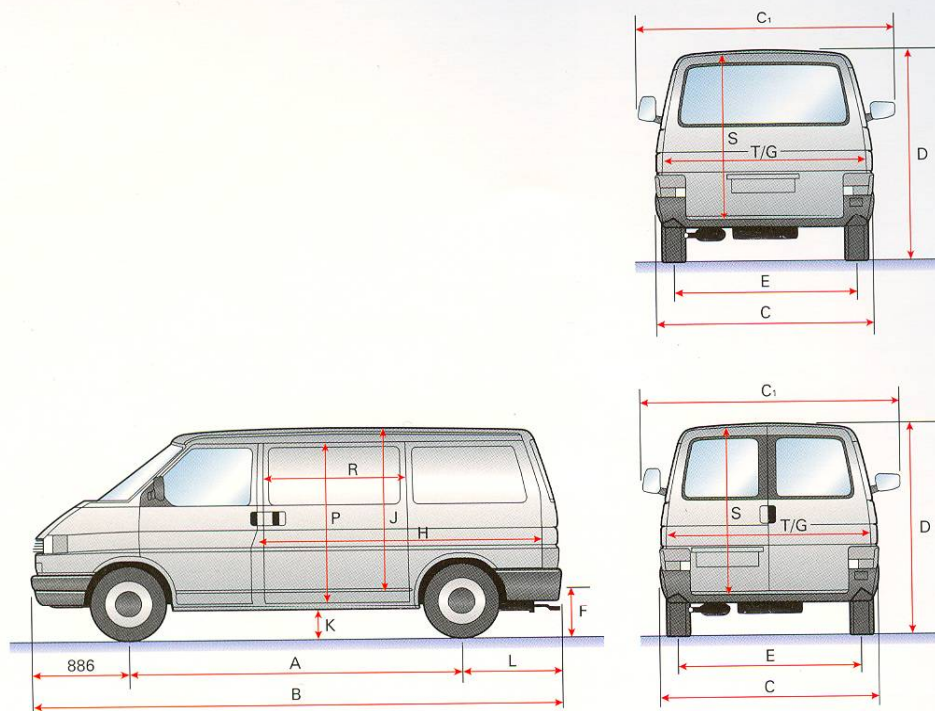
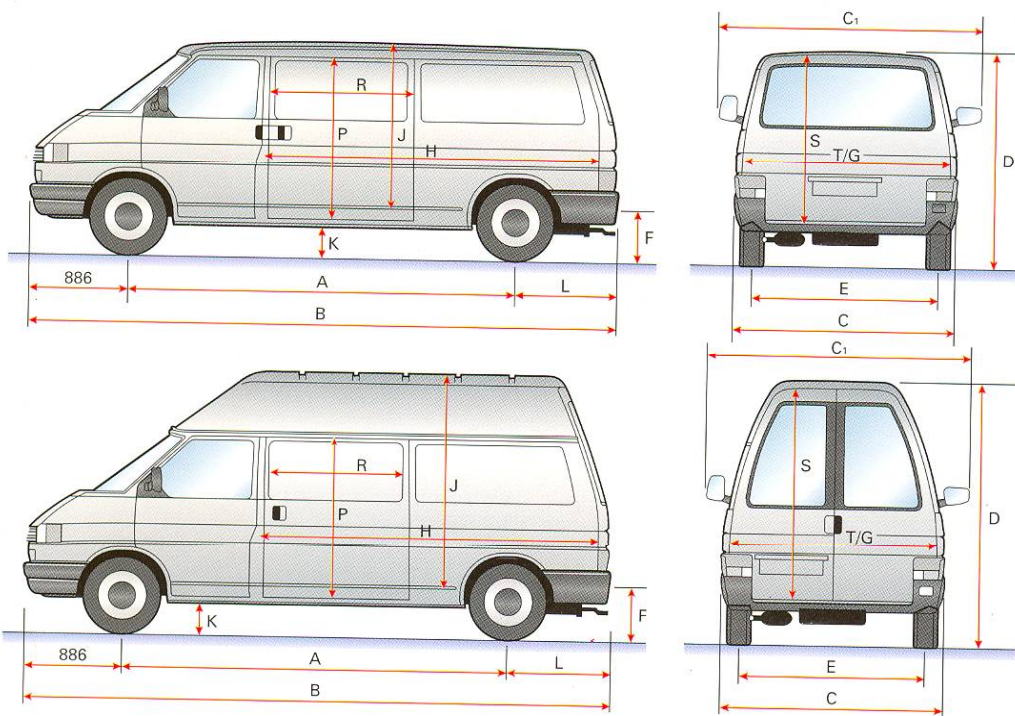


Short wheelbase Panel vans



Model	800 Special	'1000 kg' swb van			'1200 kg' swb van		
	68 bhp TD Diesel	84 bhp Petrol	68 bhp TD Diesel	88 bhp TDI Diesel	114 bhp Petrol	88 bhp TDI Diesel	102 bhp TDI Diesel
Model Number	7DABH2	7DACC2	7DACH2	7DACT2	7DADP2	7DADT2	7DADK2
Dimensions mm							
A Wheelbase	2920	2920	2920	2920	2920	2920	2920
B Overall length	4707	4707	4707	4707	4707	4707	4707
C Overall width	1840	1840	1840	1840	1840	1840	1840
C ₁ Maximum width	2175	2175	2175	2175	2175	2175	2175
D Overall height	1940	1940	1940	1940	1940	1940	1940
E Track width front	1589	1589	1589	1589	1589	1589	1589
Track width rear	1554	1554	1554	1554	1554	1554	1554
F Loading height (5)	515	515	515	515	515	515	515
G Internal width (max)	1620	1620	1620	1620	1620	1620	1620
Width between wheel arches	1220	1220	1220	1220	1220	1220	1220
H Load length	2485	2485	2485	2485	2485	2485	2485
J Internal height	1415	1415	1415	1415	1415	1415	1415
K Ground clearance	180	180	180	180	180	180	180
L Rear overhang	901	901	901	901	901	901	901
P Side door (height)	1286	1286	1286	1286	1286	1286	1286
R Side door (width)	1040	1040	1040	1040	1040	1040	1040
S Rear door/s (aperture height)	1300	1300	1300	1300	1300	1300	1300
T Rear door/s (width)	1274	1274	1274	1274	1274	1274	1274
Turning circle (wall-wall)	12100	12100	12100	12100	12100	12100	12100
Body cubic capacity m ³	5.4	5.4	5.4	5.4	5.4	5.4	5.4
Body floor area m ²	4.0	4.0	4.0	4.0	4.0	4.0	4.0
Weights kg							
Gross vehicle weight (8)	2380	2575	2575	2680	2800	2800	2800
Max. front axle plated	1250	1330	1330	1430	1480	1510	1510
Max. rear axle plated	1230	1410	1410	1410	1490	1490	1490
Gross train weight (1)	4000	4500	4000	4500	4500	4500	4500
Max. trailer weight (braked)	2000	2000	2000	2000	2000	2000	2000
Max. trailer weight (unbraked)	700	700	700	700	700	700	700
Max. trailer nose load (7)	100	100	100	100	100	100	100
Max. roof load	100	100	100	100	100	100	100
Unladen weight (2)	1505	1505	1505	1610	1580	1610	1610
Unladen weight with syncro (2)	-	-	-	-	1680	-	1710
Unladen weight with automatic gearbox (2)	-	-	-	-	1610	-	1640
Payload (3)	875	1070	1070	1070	1220	1190	1190
Payload with syncro (3)	-	-	-	-	1120	-	1090
Payload with automatic gearbox (3)	-	-	-	-	1190	-	1160

Long wheelbase Panel vans

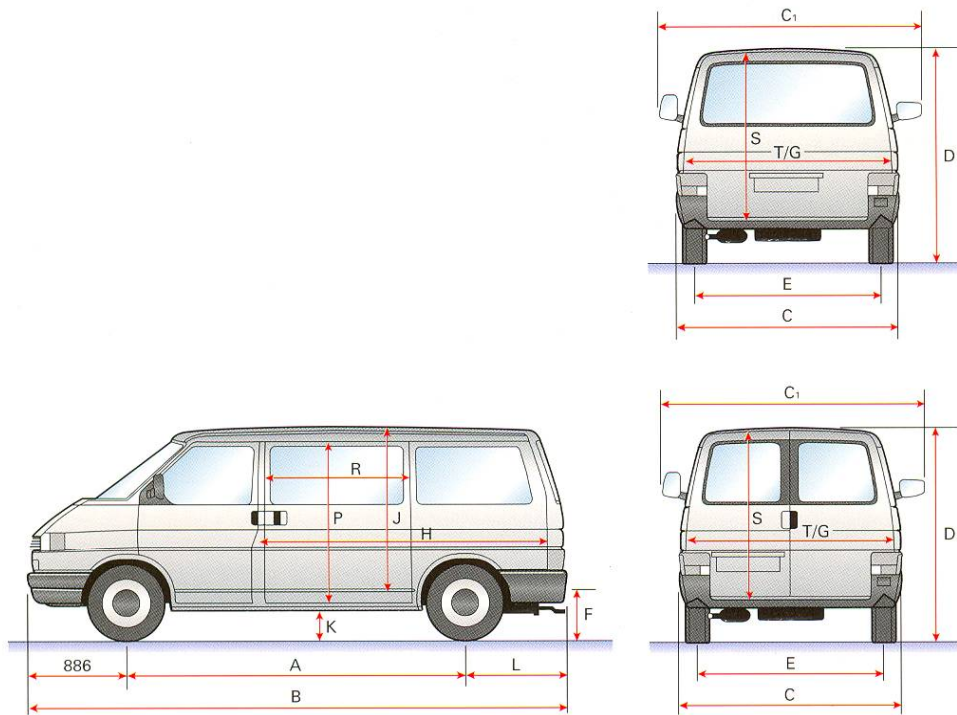


Notes:

- (1) Vehicle and trailer combinations exceeding 3500kg may require a Tachograph.
- (2) Maximum unladen weight including 10 ltr fuel, oil and water: exc. driver and optional equipment, (5% tolerance).
- (3) Maximum payload excluding optional equipment. GVW minus Unladen weight (driver and crew weight must be subtracted).
- (4) Calculated at full GVW. Actual road performance is dependent on type of body fitted, road and load conditions.
- (5) Unladen condition.
- (6) For recommended body lengths on Chassis cabs please consult C.V. Product Engineering.
- (7) See Volkswagen Sales Engineering Manual for details.
- (8) Max. weight in UK.

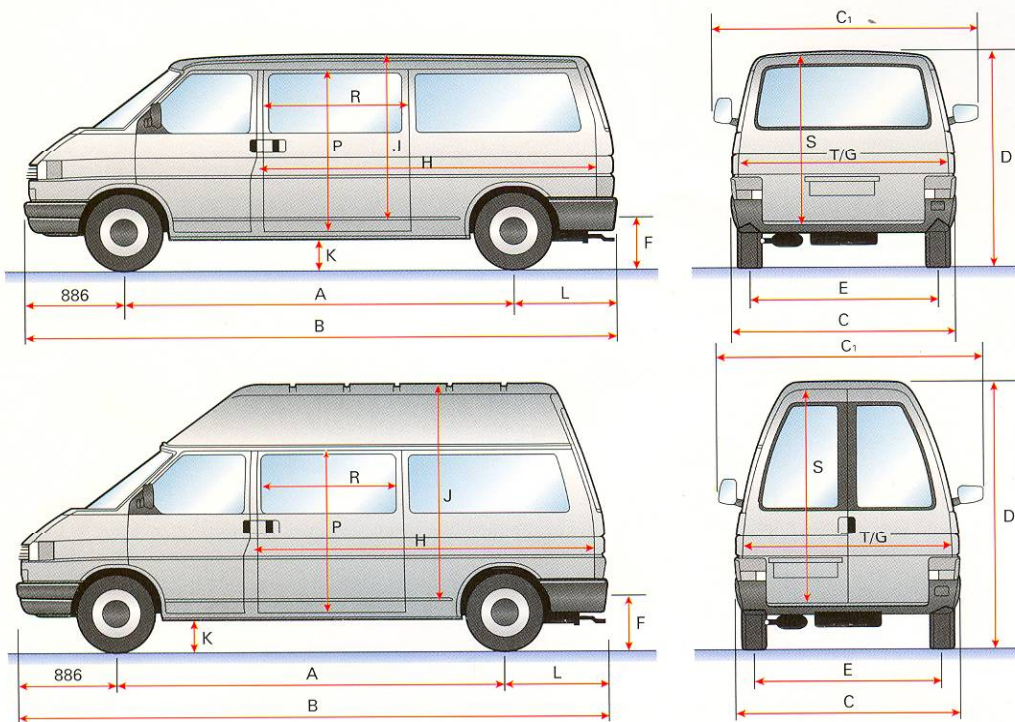
Model	'1000 kg' lwb		'1200 kg' lwb van			High roof option		
	84 bhp Petrol	68 bhp TD Diesel	114 bhp Petrol	88 bhp TDI Diesel	102 bhp TDI Diesel	114 bhp Petrol	88 bhp TDI Diesel	102 bhp TDI Diesel
Model Number	7DHCC2	7DHC2	7DHDP2	7DHDT2	7DHDK2			
Dimensions mm								
A Wheelbase	3320	3320	3320	3320	3320	3320	3320	3320
B Overall length	5107	5107	5107	5107	5107	5107	5107	5107
C Overall width	1840	1840	1840	1840	1840	1840	1840	1840
C ₁ Maximum width	2175	2175	2175	2175	2175	2175	2175	2175
D Overall height	1940	1940	1940	1940	1940	2430	2430	2430
E Track width front	1589	1589	1509	1589	1589	1589	1589	1589
Track width rear	1554	1554	1554	1554	1554	1554	1554	1554
F Loading height (5)	525	525	525	525	525	525	525	525
G Internal width (max)	1620	1620	1620	1620	1620	1620	1620	1620
Width between wheel arches	1220	1220	1220	1220	1220	1220	1220	1220
H Load length	2885	2885	2885	2885	2885	2885	2885	2885
J Internal height	1415	1415	1415	1415	1415	1900	1900	1900
K Ground clearance (4)	180	180	180	180	180	180	180	180
L Rear overhang	901	901	901	901	901	901	901	901
P Side door (height)	1286	1286	1286	1286	1286	1286	1286	1286
R Side door (width)	1040	1040	1040	1040	1040	1040	1040	1040
S Rear door/s (aperture height)	1300	1300	1300	1300	1300	1805	1805	1805
T Rear door/s (width)	1274	1274	1274	1274	1274	1274	1274	1274
Turning circle (wall-wall)	13300	13300	13300	13300	13300	13300	13300	13300
Body cubic capacity m ³	6.3	6.3	6.3	6.3	6.3	7.8	7.8	7.8
Body floor area m ²	4.6	4.6	4.6	4.6	4.6	4.6	4.6	4.6
Weights kg								
Gross vehicle weight (8)	2625	2625	2800	2800	2800	2800	2800	2800
Max. front axle plated	1400	1400	1480	1510	1510	1480	1510	1510
Max. rear axle plated	1410	1410	1490	1490	1490	1490	1490	1490
Gross train weight (1)	4500	4000	4500	4500	4500	4500	4500	4500
Max. trailer weight (braked)	2000	2000	2000	2000	2000	2000	2000	2000
Max. trailer weight (unbraked)	700	700	700	700	700	700	700	700
Max. trailer nose load (7)	100	100	100	100	100	100	100	100
Max. roof load	100	100	100	100	100	100	100	100
Unladen weight (2)	1555	1555	1630	1660	1660	1680	1710	1710
Unladen weight with syncro (2)	-	-	1730	-	1760	1780	-	1810
Unladen weight with automatic gearbox (2)	-	-	1660	-	1690	1710	-	1740
Payload (3)	1070	1070	1170	1140	1140	1120	1090	1090
Payload with syncro (3)	-	-	1070	-	1040	1020	-	990
Payload with automatic gearbox (3)	-	-	1140	-	1110	1090	-	1060

Short wheelbase Window Vans



'1000kg' swb window van					
Model	84 bhp petrol	68 bhp TD diesel	114 bhp petrol	88 bhp TDI diesel	102 bhp TDI diesel
Model Number	7DBCC2	7DDCI12	7DDDP2	7DBDT2	7DBDK2
Dimensions mm					
A Wheelbase	2920	2920	2920	2920	2920
B Overall length	4707	4707	4707	4707	4707
C Overall width	1840	1840	1840	1840	1840
C ₁ Maximum width	2175	2175	2175	2175	2175
D Overall height	1940	1940	1940	1940	1940
E Track width front	1589	1589	1589	1509	1509
Track width rear	1554	1554	1554	1554	1554
F Loading height (5)	515	515	515	515	515
G Internal width (max)	1620	1620	1620	1620	1620
Width between wheel arches	1220	1220	1220	1220	1220
H Load length	2485	2485	2485	2485	2485
J Internal height	1415	1415	1415	1415	1415
K Ground clearance (4)	180	180	180	180	180
L Rear overhang	901	901	901	901	901
P Side door (height)	1286	1286	1286	1286	1286
R Side door (width)	1040	1040	1040	1040	1040
S Rear door/s (aperture height)	1300	1300	1300	1300	1300
T Rear door/s (width)	1274	1274	1274	1274	1274
Turning circle (wall-wall)	12100	12100	12100	12100	12100
Body cubic capacity m ³	5.4	5.4	5.4	5.4	5.4
Body floor area m ²	4.0	4.0	4.0	4.0	4.0
Weights kg					
Gross vehicle weight (8)	2600	2600	2700	2700	2700
Max. front axle plated	1400	1400	1480	1510	1510
Max. rear axle plated	1330	1330	1330	1330	1330
Gross train weight (1)	4500	4000	4500	4500	4500
Max. trailer weight (braked)	2000	2000	2000	2000	2000
Max. trailer weight (unbraked)	700	700	700	700	700
Max. trailer nose load (7)	100	100	100	100	100
Max. roof load	100	100	100	100	100
Unladen weight (2)	1532	1532	1607	1637	1637
Unladen weight with syncro (2)	-	-	1707	-	1737
Unladen weight with automatic gearbox (2)	-	-	1637	-	1667
Payload (3)	1068	1068	1093	1063	1063
Payload with syncro (3)	-	-	993	-	963
Payload with automatic gearbox (3)	-	-	1063	-	1033

Long wheelbase Window Vans



Notes:

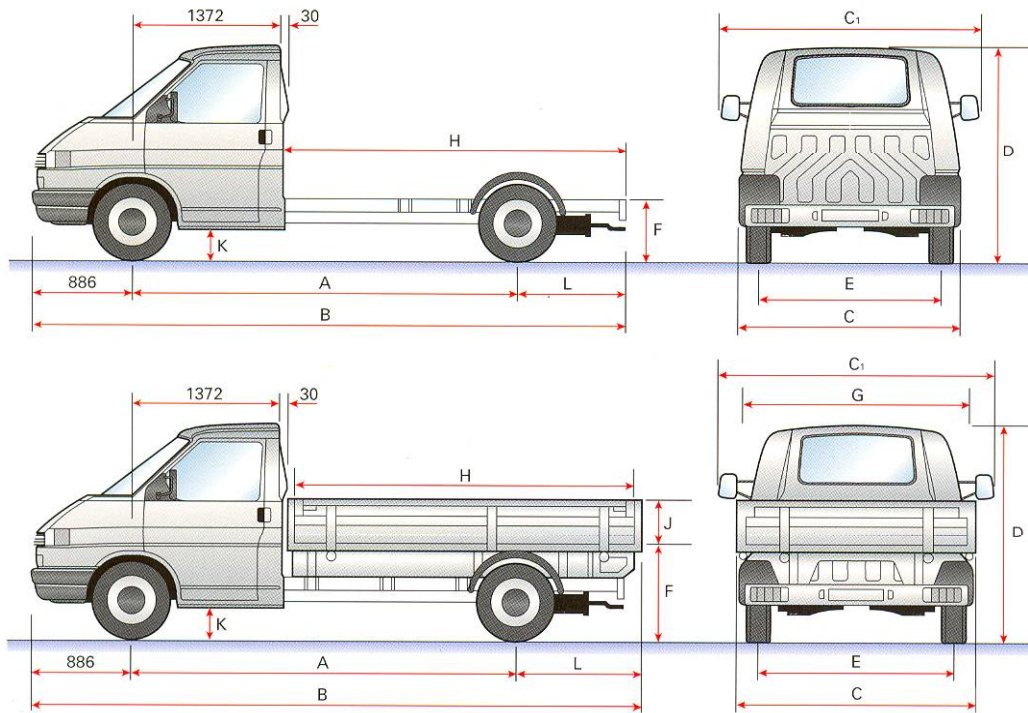
- (1) Vehicle and trailer combinations exceeding 3500kg may require a Tachograph.
- (2) Maximum payload including 10 ltr fuel, oil and water: exc. driver and optional equipment, (5% tolerance).
- (3) Maximum payload excluding optional equipment. GVW minus Unladen weight (driver and crew weight must be subtracted).
- (4) Calculated at full GVW. Actual road performance is dependent on type of body fitted, road and load conditions.
- (5) Unladen condition.
- (6) For recommended body lengths on Chassis cabs please consult C.V. Product Engineering.
- (7) See Volkswagen Sales Engineering Manual for details.
- (8) Max. weight in UK.

'1200kg' lwb window van

High roof option

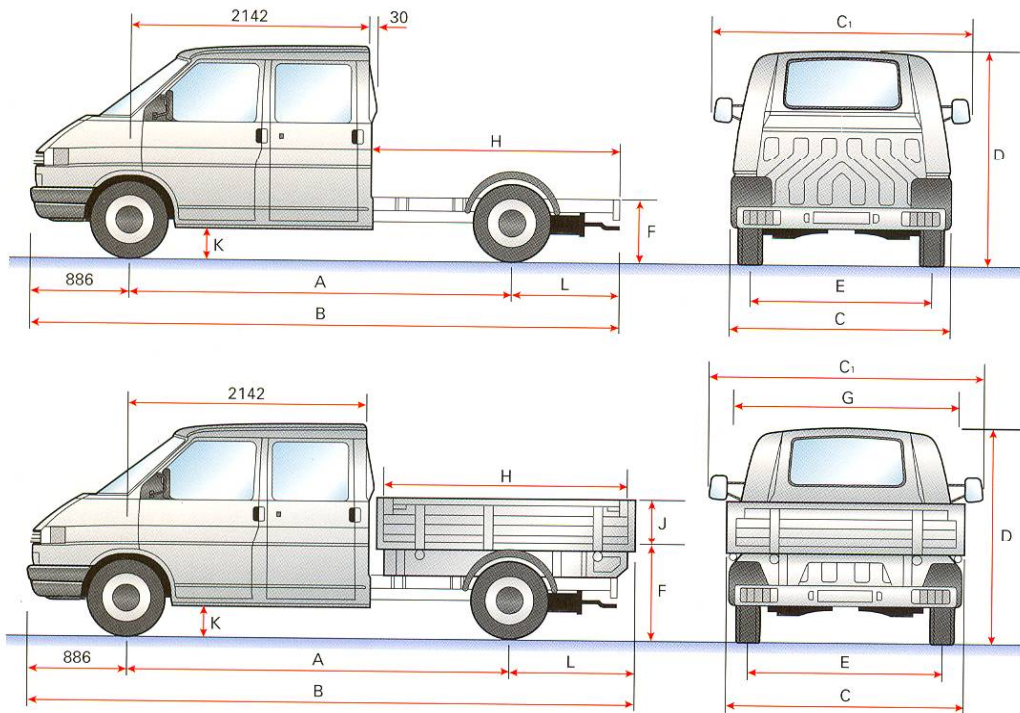
Model	84 bhp petrol	68 bhp TD diesel	114 bhp petrol	88 bhp TDI diesel	102 bhp TDI diesel	88 bhp TDI diesel	102 bhp TDI diesel
Model Number	7DJCC2	7DJCH2	7DJCP2	7DJDT2	7DJDK2	7DJHT2	7DJHK2
Dimensions mm							
A Wheelbase	3320	3320	3320	3320	3320	3320	3320
B Overall length	5107	5107	5107	5107	5107	5107	5107
C Overall width	1840	1840	1840	1840	1840	1840	1840
C ₁ Maximum width	2175	2175	2175	2175	2175	2175	2175
D Overall height	1940	1940	1940	1940	1940	2430	2430
E Track width front	1589	1589	1589	1589	1589	1589	1589
Track width rear	1554	1554	1554	1554	1554	1554	1554
F Loading height (5)	525	525	525	525	525	525	525
G Internal width (max)	1620	1620	1620	1620	1620	1620	1620
Width between wheel arches	1220	1220	1220	1220	1220	1220	1220
H Load length	2885	2885	2885	2885	2885	2885	2885
J Internal height	1415	1415	1415	1415	1415	1900	1900
K Ground clearance (4)	180	180	180	180	180	180	180
L Rear overhang	901	901	901	901	901	901	901
P Side door (height)	1286	1286	1286	1286	1286	1286	1286
R Side door (width)	1040	1040	1040	1040	1040	1040	1040
S Rear door/s (aperture height)	1300	1300	1300	1300	1300	1805	1805
T Rear door/s (width)	1274	1274	1274	1274	1274	1274	1274
Turning circle (wall-wall)	13300	13300	13300	13300	13300	13300	13300
Body cubic capacity m ³	6.3	6.3	6.3	6.3	6.3	7.8	7.8
Body floor area m ²	4.6	4.6	4.6	4.6	4.6	4.6	4.6
Weights kg							
Gross vehicle weight (8)	2800	2800	2800	2800	2800	2800	2800
Max. front axle plated	1480	1480	1570	1600	1600	1600	1600
Max. rear axle plated	1490	1490	1490	1490	1490	1490	1490
Gross train weight (1)	4500	4000	4500	4500	4500	4500	4500
Max. trailer weight (braked)	2000	2000	2000	2000	2000	2000	2000
Max. trailer weight (unbraked)	700	700	700	700	700	700	700
Max. trailer nose load (7)	100	100	100	100	100	100	100
Max. roof load	100	100	100	100	100	100	100
Unladen weight (2)	1555	1555	1630	1660	1660	1729	1729
Unladen weight with syncro (2)	-	-	1730	-	1779	-	1829
Unladen weight with automatic gearbox (2)	-	-	1660	-	-	-	1809
Payload (3)	1245	1245	1170	1140	1140	1071	1071
Payload with syncro (3)	-	-	1070	-	1040	-	971
Payload with automatic gearbox (3)	-	-	1140	-	-	-	991

Chassis cabs



Model	Chassis cab			Dropside		
	114 bhp petrol	88 bhp TDI diesel	102 bhp TDI diesel	114 bhp petrol	88 bhp TDI diesel	102 bhp TDI diesel
Model Number	7DLDP2	7DLDT2	7DLDK2	Dropside	Dropside	Dropside
Dimensions mm						
A Wheelbase	3320	3320	3320	3320	3320	3320
B Overall length	5136	5136	5136	5271	5271	5271
C Overall width	1840	1840	1840	1970	1970	1970
C1 Maximum width	2320	2320	2320	2320	2320	2320
D Overall height	1920	1920	1920	1910	1910	1910
E Track width front	1589	1589	1589	1589	1589	1589
Track width rear	1554	1554	1554	1554	1554	1554
F Loading height (5)	661	661	661	885	885	885
G Internal width (max)	-	-	-	1850	1850	1850
H Load/frame length (6)	2905	2905	2905	2905	2905	2905
J Internal height	-	-	-	390	390	390
K Ground clearance (4)	180	180	180	180	180	180
L Rear overhang	930	930	930	1065	1065	1065
Turning circle (wall-wall)	13300	13300	13300	13300	13300	13300
Body floor area m ²	-	-	-	5.4	5.4	5.4
Weights kg						
Gross vehicle weight (8)	2800	2800	2800	2800	2800	2800
Max. front axle plated	1480	1510	1510	1480	1510	1510
Max. rear axle plated	1490	1490	1490	1490	1490	1490
Gross train weight (1)	4500	4500	4500	4500	4500	4500
Max. trailer weight (braked)	2000	2000	2000	2000	2000	2000
Max. trailer weight (unbraked)	700	700	700	700	700	700
Max. trailer nose load (7)	100	100	100	100	100	100
Max. roof load	100	100	100	100	100	100
Unladen weight (2)	1400	1430	1430	1580	1610	1610
Unladen weight with syncro (2)	1500	-	1530	1680	-	1710
Unladen weight with automatic gearbox (2)	1430	-	1460	-	-	1640
Payload (3)	1400	1370	1370	1220	1190	1190
Payload with syncro (3)	1300	-	1270	1120	-	1090
Payload with automatic gearbox (3)	1370	-	1340	-	-	1160

Double cabs



Notes:

- (1) Vehicle and trailer combinations exceeding 3500kg may require a Tachograph.
- (2) Maximum unladen weight including 10 ltr fuel, oil and water: exc. driver and optional equipment, (5% tolerance).
- (3) Maximum payload excluding optional equipment. GVW minus Unladen weight (driver and crew weight must be subtracted).
- (4) Calculated at full GVW. Actual road performance is dependent on type of body fitted, road and load conditions.
- (5) Unladen condition.
- (6) For recommended body lengths on Chassis cabs please consult C.V. Product Engineering.
- (7) See Volkswagen Sales Engineering Manual for details.
- (8) Max. weight in UK.

Model	Double cab			Dropside		
	114 bhp Petrol	88 bhp TDI Diesel	102 bhp TDI Diesel	114 bhp Petrol Dropside	88 bhp TDI Diesel Dropside	102 bhp TDI Diesel Dropside
Model Number	7DMDP2	7DMDT2	7DMDK2			
Dimensions mm						
A Wheelbase	3320	3320	3320	3320	3320	3320
B Overall length	5136	5136	5136	5271	5271	5271
C Overall width	1840	1840	1840	1970	1970	1970
C ₁ Maximum width	2320	2320	2320	2320	2320	2320
D Overall height	1920	1920	1920	1920	1920	1920
E Track width front	1589	1589	1589	1589	1589	1589
Track width rear	1554	1554	1554	1554	1554	1554
F Loading height (5)	649	649	649	875	875	875
G Internal width (max)	-	-	-	1850	1850	1850
H Load/frame length (6)	2140	2140	2140	2140	2140	2140
J Internal height	-	-	-	390	390	390
K Ground clearance (4)	180	180	180	180	180	180
L Rear overhang	930	930	930	1065	1065	1065
Turning circle (wall-wall)	13300	13300	13300	13300	13300	13300
Body floor area m ²	-	-	-	4.0	4.0	4.0
Weights kg						
Gross vehicle weight (8)	2800	2800	2800	2800	2800	2800
Max. front axle plated	1510	1510	1510	1510	1510	1510
Max. rear axle plated	1490	1490	1490	1490	1490	1490
Gross train weight (1)	4500	4500	4500	4500	4500	4500
Max. trailer weight (braked)	2000	2000	2000	2000	2000	2000
Max. trailer weight (unbraked)	700	700	700	700	700	700
Max. trailer nose load (7)	100	100	100	100	100	100
Max. roof load	100	100	100	100	100	100
Unladen weight (2)	1482	1512	1512	1612	1650	1650
Unladen weight with syncro (2)	1582	-	1612	1712	-	1750
Unladen weight with automatic gearbox (2)	1512	-	1542	-	-	1672
Payload (3)	1318	1288	1288	1188	1158	1158
Payload with syncro (3)	1218	-	1188	1088	-	1058
Payload with automatic gearbox (3)	1288	-	1258	-	-	1128