

Combo

2011 Models Edition 2



Proud Sponsor of Home Nations Football



The Wheels of Business. Helping you deliver.

Whatever your line of business, Vauxhall Commercial Vehicles can help you deliver. With five different models – including New Corsavan and the award-winning New Movano – we offer a massive choice of over 230 variants including panel vans, chassis cabs,

chassis crew cabs, platform cabs, tippers, dropsides, box vans and passenger carriers. We're also committed to keeping your business moving. That means reliable, fuel-efficient vehicles – including our new ecoFLEX range – supported by a dedicated network of over



450 retailers offering the expert support and back-up you need. We build more commercial vehicles at our British production facilities at Ellesmere Port and Luton than any other UK manufacturer. We've also won over 30 industry awards since 2001 – major awards,

presented by some of the toughest judges in the business. Introduce the in-built reassurance of the Vauxhall brand and it's easy to see why Vauxhall Commercial Vehicles really are 'The Wheels of Business'.



Combo. Loads bigger.

A favourite both with owner drivers and large fleets, Combo is the perfect solution for those commercial vehicle operators who demand a lot of space.

As well as boasting an outstanding combination of load capacity (up to 3.20m³), access and payload (up to 785kg), Combo also lists versatility amongst its load capabilities with the Combo Crew van adding a comfortable three-passenger rear seat and convenient twin sliding side-access doors.

Under the bonnet, Combo's engine line-up comprises a choice of advanced common rail diesels. There's the award-winning 1.3CDTi 16v unit, available in both CO₂-efficient ecoFLEX format (1700 variants) and in non-ecoFLEX, 2000 GVW mode. These models are all available with optional Easytronic transmission. Or choose our powerful 1.7CDTi 16v unit, producing 100PS. All Combo models boast service intervals of 20,000 miles/one-year.

And with a choice of GVWs, panel van or crew van, three trim levels (Expression, Combo and the stylish Combo SE) plus optional Maxx Packs, it's never been easier to find the Combo that matches your business needs.

Some of the vehicles shown in this brochure include options and accessories available at extra cost. And not all of the features described are available on every model. So please check the equipment and technical data section for further details. From time to time, we also offer alternative models such as Special Editions which are featured in separate literature or can be found on the Vauxhall website: www.vauxhall.co.uk/vans

Vehicle illustrated features optional side-access loading door, glazed rear doors and metallic paint.



06 Loadspace and access
08 Efficiency
10 Expression
12 Combo

14 Combo SE
16 Crew van
18 Options and accessories
20 Colours and trims

22 Customer advocacy
24 Equipment and technical data

Loadspace and access

Hard-working Combo is available with a choice of two nominal gross vehicle weights – 1700kg and 2000kg – offering a range of payloads from 572kg up to 785kg. Load volume is equally generous – no less than 2.76 cubic metres – providing outstanding cargo carrying potential, particularly when specified with the optional FlexCargo system. This increases load volume to an even more impressive 3.20 cubic metres.

Combo is equally big on load access. In fact, with 1107mm between the wheel arches, the load area is wide enough to take a standard Euro pallet. The loading height is a very low 584mm and the roofline-height twin rear doors can be locked into position at 90 degrees and opened out to a wide 180 degrees for easier loading and unloading in tight spaces.

Alternatively, there's a tailgate option (see page 11), featuring heated window and wash/wipe facility and offering improved rear visibility and weather protection for operatives. At 620mm wide, Combo's optional sliding side-access doors are particularly useful, allowing even a washing machine to be loaded from the safety of the pavement.

TRANSPORT NEWS MAGAZINE SAID...

'We found the low loading height, coupled to the wide opening rear doors and side-access doors, made life a lot easier.'



Optional FlexCargo system
Provides up to 3.20 cu.m of load volume and features a movable mesh bulkhead.



Fold-flat front passenger's seat
Part of the FlexCargo system. Increases the load length to 2700mm.





BUICK

COMBO

Combo

Efficiency

Vauxhall Commercial Vehicles are built to provide high levels of performance, fuel economy and reliability – day in, day out – whatever the working situation. And Combo is no exception. Every Combo engine is built for low running costs, with service intervals of up to 20,000 miles/one-year meaning less ‘downtime’ and more ‘earning time’.



The 1.3CDTi 16v ecoFLEX unit embodies all the benefits of our ecoFLEX philosophy, with incredible economy and low CO₂ emissions of just 134g/km allied to surprising power (75PS) and a strong 170Nm of torque. Our 2000 GVW 1.3CDTi 16v models are equally impressive in the power/economy stakes. ‘All we can say is get behind the wheel and take a test drive,’ said *What Van?* magazine. ‘You will be amazed.’ Every 1.3CDTi 16v model (ecoFLEX and non-ecoFLEX) is available with Vauxhall’s unique Easytronic transmission – a five-speed manual with a fully automatic mode.

Moving up a division, the 1.7CDTi 16v common rail turbo diesel boasts no less than 100PS of power and 240Nm of torque, making it one of the most powerful and flexible light van engines around. In its road test featuring this engine, *Commercial Motor* said: ‘The Combo is one of those vehicles that feels strong from the moment you move off – the urge is immediately apparent and the flexibility is excellent.’



Unique Easytronic transmission
Five-speed Easytronic transmission is optional on 1.3CDTi 16v models.



Advanced diesel engines
The 1.7CDTi 16v unit produces 100PS of power and 240Nm of torque.

Choice of engines

- › 1700 1.3CDTi 16v (75PS) ecoFLEX
- › 2000 1.3CDTi 16v (75PS)
- › 1700/2000 1.7CDTi 16v (100PS)

More great features

- › Five-speed manual gearbox
- › Five-speed Easytronic transmission (optional on 1.3CDTi 16v models)
- › 52-litre fuel tank
- › Service-due indicator
- › Service intervals up to 20,000 miles/one-year
- › Three-year manufacturer’s warranty consisting of a one-year/unlimited mileage warranty plus a second and third year warranty up to 60,000 miles

Combo model illustrated features optional glazed rear doors.

Expression

Looking for outstanding load capacity, versatility and payload matched with added affordability? Then check out the Combo Expression. With power provided by the latest, fuel-efficient 1.3CDTi 16v (75PS) ecoFLEX turbo diesel engine and 2.76 cubic metres of usable loadspace, it certainly works hard for your business. Add some very appealing interior comforts as standard – including power-assisted steering and a tiltable steering column – and here's one entry model that's surprisingly well equipped for the price. That's the Combo Expression. An Expression of value.



Smart seat trim

Expression's seats are trimmed in smart Charcoal Orleans cloth.



1.3CDTi 16v ecoFLEX

Delivers an outstanding combination of performance and economy. See page 27 for more details.



Tiltable steering column

Enables driver to achieve the ideal driving position.

Expression features:

- > AM/FM stereo radio (R10)
- > Driver's airbag
- > Tiltable steering column
- > Electric power-assisted steering
- > ABS with EBD and EBA
- > Half-height steel bulkhead
- > Overhead storage shelf
- > Remote control central deadlocking
- > Electronic engine deadlock immobiliser
- > Pyrotechnic body-lock front seatbelt pretensioners with force limiters
- > Tyre inflation kit (in lieu of spare wheel)



Engine/transmission

- > 1700 1.3CDTi 16v ecoFLEX (75PS)/
five-speed manual



Vehicles illustrated feature optional glazed tailgate with heated window and wash/wipe facility.

Combo

Simply 'loads bigger', Combo offers a powerful blend of space, payload and ease of loading. And with a host of major awards behind it, here's one performer that is clearly as popular with the industry's leading van publications as it is with the people who drive it for a living.

Customers can choose from two nominal gross vehicle weights – 1700kg and 2000kg – and 1.3CDTi 16v or 1.7CDTi 16v common rail turbo diesel engines.



Smart ergonomics

Intelligent positioning of controls gives Combo a head start in the driveability stakes.



Anti-lock Braking System
ABS with EBD and EBA is fitted as standard to all Combo models.



Overhead storage shelf

Handy overhead storage shelf creates valuable additional storage space.

Combo features:

- › Stereo/radio/CD player (CD 30)
- › Driver's airbag
- › ABS with EBD and EBA
- › Half-height steel bulkhead
- › Overhead storage shelf
- › Remote control central deadlocking
- › Electronic engine deadlock immobiliser
- › Pyrotechnic body-lock front seatbelt pretensioners with force limiters
- › Power-assisted steering
- › Tilttable steering column
- › Full-size spare wheel

Engines/transmission

- > 1700 1.3CDTi 16v ecoFLEX/
five-speed manual
- > 2000 1.3CDTi 16v/five-speed manual
- > 1700/2000 1.7CDTi 16v/
five-speed manual



Model illustrated features optional nearside and offside sliding side-access doors and Function Pack A. Flush wheel covers shown are standard on 2000kg GVW and 1.7CDTi 16v models.

Combo SE

Combo SE brings added versatility and value to the award-winning Combo formula. With its nearside sliding side-access door, stylish exterior and sportier feel to the interior, it's Combo with a fresh new look.

The SE is available in both 1700kg or 2000kg GVW variants. Its special features bring added appeal to the proven package building on the model's many established strengths, including outstanding load volume, impressive load floor length and excellent load access.



Electrically operated windows, air conditioning and heated front seats are optional at extra cost.

Sports seats

The standard sports seats offer increased lateral and lumbar support for both driver and passenger and are finished in stylish Sensor dark charcoal cloth.



Driver's seat height adjuster
Helps you achieve the perfect driving position.

Combo SE features:

- › Body-colour front and rear quarter bumpers
- › Body-colour door mirrors
- › 15-inch alloy wheels
- › Sports front seats
- › Driver's seat height adjuster
- › Nearside sliding side-access door



Model illustrated features two-coat metallic paint, optional at extra cost.



Engines/transmission

- > 1700 1.3CDTi 16v ecoFLEX/
five-speed manual
- > 2000 1.3CDTi 16v/five-speed manual

Engines/transmission

- > 2000 1.3CDTi 16v (75PS)/
five-speed manual
- > 2000 1.7CDTi 16v (100PS)/
five-speed manual





Crew van

The practical Crew van extends Combo's versatility even further, offering a full five-seater capacity. Based on the 2000kg GVW model, its fully integrated, factory-fitted rear seat offers plenty of room for three additional passengers, with access via the standard nearside and offside sliding side-access doors.

Best of all, Crew van is officially classified as a Commercial Vehicle for VAT purposes; this means that businesses purchasing the model can reclaim the VAT – subject to all the usual rules surrounding VAT recovery.



Roomy and versatile
Crew van provides genuine five-seater capacity.



Safe and secure
Load restraint mesh is available in nylon or steel as an accessory.

Crew van features:

- › Commercial vehicle classification for VAT purposes
- › Five-seat capacity
- › Driver's and front passenger's airbags
- › Driver's seat height adjuster
- › Nearside and offside sliding side-access doors with cloth door trim inserts
- › 60/40 split rear seat back with fold-flat facility
- › Full-length headlining
- › Overhead storage net pockets
- › Lap and diagonal inertia-reel seatbelts (front and rear)
- › Carpeted floor in front and rear passenger areas
- › Load area floor mat
- › Retractable load area cover

Options

Vauxhall options and accessories are all about choice – selecting your Combo then personalising it to suit the way you work. There's a choice of factory-fitted options and a huge range of Genuine Vauxhall Accessories. You can also choose styling products from the auto design specialist Irmscher International. For further information please speak to your Vauxhall Commercial Vehicle retailer.

Option packs

Function Pack A

- › Front passenger's underseat storage tray
- › Driver's seat height adjuster
- › Remote control ultrasonic security alarm system
- › Heated rear windows
- › Intermittent rear window wash/wipers
- › Front map reading lights

Function Pack B

- › Front passenger's underseat storage tray
- › Driver's seat height adjuster
- › Remote control ultrasonic security alarm system
- › Unglazed rear doors
- › Front map reading lights

Winter Pack

- › Electrically heated front seats
- › Front fog lights

Smoker Pack

- › Cigar lighter
- › Front ashtray

Maxx Styling Pack

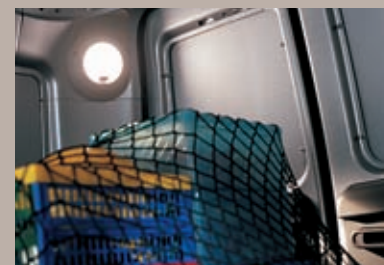
- › Body-colour front bumper and rear quarter bumpers
- › Body-colour door mirrors
- › 15-inch alloy wheels

Maxx Function Pack

- › Air conditioning
- › Electrically operated front windows
- › Electrically adjustable/heated body-colour door mirrors
- › Sports front seats (see page 21)

Individual options include:

- › FlexCargo fold-flat front passenger's seat and hinged movable bulkhead
- › Load area rubber floor mat
- › Upper load restraint mesh
- › Nearside sliding side-access door
- › Offside and nearside sliding side-access doors
- › Glazed rear doors
- › Tailgate with heated window and wash/wipe facility
- › Remote control ultrasonic security alarm system
- › Air conditioning and air recirculation facility
- › Satellite navigation system/ CD player with MP3 format and stereo radio (CD 70)
- › Sports front seats (see page 21)



Internal lights/load-restraining net
Optional rear internal working lights and accessory load-restraining floor net.



Air conditioning
Optional at extra cost on all models except Expression.

Accessories

Genuine Vauxhall Accessories are the right choice for your Combo. The list below is just a small sample of the range available. For a full list, please refer to the Vauxhall Commercial Vehicle Price Guide, or check out our website at: www.vauxhall.co.uk/accessories



Fixed tow bar 12N
This strong and high quality towing hitch expands the versatility and flexibility of your Combo.



Ultrasonic security alarm system
Ensures high levels of protection for your van and its cargo.



Roof carriers
Base carrier shown complete with full-length roof rack and loading roller.



Safety pack
Comprises a first aid kit with warning triangle and hi-visibility vest.



Cargo liner
Rigid moulded plastic liner with lipped sides that fits easily into the load area.



Irmischer Stila alloy wheels
Developed in conjunction with the auto design specialists.

Accessories include:

- > Base carriers
- > Cargo liners
- > Load-restraining floor net
- > MetaSystem alarm
- > MetaSystem rear parking distance sensors
- > Steering wheel security bar
- > Safety Pack (warning triangle, first aid kit and hi-visibility vest)
- > Headlight protectors
- > Fixed or flange tow bar with 12N or 12N/12S electrics

irmischer

- > Interior styling
- > Exterior styling
- > Alloy wheels
- > Wheel accessories
- > Sports silencer

Colours and trims

Combo's business-like appearance is exemplified by the impressive choice of colours available. The cloth trims have been chosen as much for their hard-wearing properties as they have for their visual appeal.

Glacier White – solid



Flame Red – solid



Royal Blue – solid



Cargo Yellow (special order) – solid



Star Silver – two-coat metallic



Silver Lake – two-coat metallic



Black Sapphire – two-coat pearlescent



Waterworld – two-coat pearlescent



Due to the limitations of the printing process the colours reproduced may vary from the actual colour. As a result they should be used as a guide only.

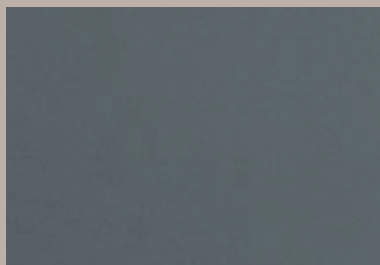
All Vauxhall Commercial Vehicle retailers have a comprehensive showroom colour display, with actual exterior paint samples available for inspection.

Please note: Certain alternative colours are available for special order on Combo. Restrictions apply so please consult your Commercial Vehicle retailer for more details.

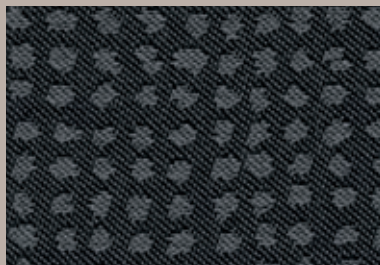


Sports front seats

Sports front seats in stylish Sensor dark charcoal cloth enhance comfort with increased lateral and lumbar support (standard on SE models, optional on Combo and Crew van).



Grey vinyl
No cost option – not available on Crew Van or SE.



Charcoal Orleans cloth
Standard on all models except SE.

Exterior colours	Availability
Solid	
Glacier White	●
Flame Red	●
Royal Blue	●
Cargo Yellow (special order)*	●
Two-coat metallic**	
Star Silver	○
Silver Lake	○
Two-coat pearlescent**	
Black Sapphire	○
Waterworld	○

● = Available at no cost.

○ = Available at extra cost.

* = Not available on Expression and SE models.

** = Not available on Expression models.

Vauxhall Commercial Vehicles

The wheels of your business.

Whatever your load, Vauxhall Commercial Vehicles are designed to help you deliver a top quality job. Award-winning models like Combo can actively enhance the operating efficiency of your business by delivering outstanding load-carrying potential, low running costs and day-long driver comfort. And whichever Vauxhall Commercial Vehicle you choose, you can also rest assured that Vauxhall's nationwide network of retailers will go the extra mile to meet all your servicing and maintenance needs.

But why take our word for it? Vauxhall's commitment to keeping your business moving is recognised by van operators of all sizes across the length and breadth of the country...



Russell Lelliot, Managing Director, RSL Transport said...

'We've been running Movanos for years. Our two New Movanos save around 4mpg when full, compared to the old models. Which over almost 3,000 miles per week per van, is a big saving!'



Marc Daley, Business Director, Amey PLC said...

'Amey are delighted to include the Vauxhall Astravan amongst its fleet. It has proved reliable and has gained user acceptance across a diverse range of operating environments.'

Mike Sinclair, Senior Property Partner, Aberdeen Considine said...

'Our fleet of 23 Corsavan Sportives is a reflection on our business, reinforcing our professional image. Not only that, we've found them economical, reliable and fun to drive.'





Andrew Cook, Rail Structures Examiner, Amey PLC said...

'The reasons I drive Vivaro? Simple. It's comfortable, the driving position and visibility are great and it's surprisingly compact. This makes it ideal for some of the limited access situations we encounter.'

Mary Wilson, Owner, Mary Wilson Flowers said...

'We've had 14 Combos, we like the fact that they drive and handle just like a car. The interior load height and side loading doors make light work of multiple-drop deliveries, especially in congested areas. We now operate two Combos and have found them reliable and economical to run, averaging over 45 mpg.'



Contents

Equipment

Safety	24
Facia, instruments and controls	
Audio, navigation and communications	
Seating	
Interior	25
Security	
Load area	
Mechanical	26
Exterior	
Option packs	
Technical data	
Engines	27
Transmission ratios	
Fuel economy and emissions	
Vauxhall Assistance and warranties, transmissions, steering, suspension, brakes, wheels and tyres, electrics and fuel tank capacity	28
Weights and towing data	29
Insurance groups and body	
Dimensions, loadspace dimensions, loadspace volume	30
Glossary of terms	31



Driver's seat height adjuster.

Safety

Standard features • Anti-lock Braking System (ABS) with Electronic Brakeforce Distribution (EBD) • Emergency Brake Assist (EBA) – Increases applied brake force in emergency braking situations • Driver's airbag • Height-adjustable head restraints • Height-adjustable inertia-reel lap and diagonal front seatbelts • Pyrotechnic body-lock front seatbelt pretensioner system – Tightens the seatbelt during the early stages of a frontal impact • Front seatbelt force limiters – Reduces potential upper body injuries during a frontal impact • Pedal release system • Anti-submarining ramps in seats – Help prevent occupants sliding underneath the lap belt during a collision • Side-impact protection beams • Laminated windscreen • Fuel tank located ahead of rear axle

Additional features	Expression	Combo	SE	Crew van
Front passenger's airbag	○	○	○	●
Three inertia-reel lap and diagonal rear seatbelts				●

Facia, instruments and controls

Standard features • Trip odometer • Rev counter • Electronically controlled coolant temperature gauge and fuel gauge with low fuel level warning light • Service-due indicator • 12-volt electrical accessory socket • Digital clock and outside air temperature display • Tilttable steering column • Instrument panel light dimmer • Lidded glovebox • Storage compartment on driver's side facia

Audio, navigation and communications

Features	Expression	Combo	SE	Crew van
AM/FM stereo radio (R10) • Two speakers	●			
CD player/stereo radio (CD 30) • CD player • AM/FM stereo radio with 24 station presets • RDS with Traffic Programme • Remote display • 20 watts per channel output • Four speakers (six on Crew van)		●	●	●
Satellite navigation/CD player with MP3 format (CD 70) • Satellite navigation system • CD player with MP3 format • Auxiliary-in socket • AM/FM stereo radio • Traffic Message Channel (TMC) ¹ • Remote graphic display • 20 watts per channel output • Four speakers (six on Crew van) • Steering wheel mounted audio controls		○	○	○
Steering wheel mounted audio controls		○	○	○
Factory-fit telephone pre-wiring	○	○	○	○
Flexible roof-mounted aerial	●	●	●	●

Seating

Features	Expression	Combo	SE	Crew van
Reclining front seats	●	●	●	●
Sports front seats in Sensor dark charcoal trim with increased lateral and lumbar support (not available in conjunction with upper load restraint mesh) ²		○	●	○
Vinyl seat trim ³	○	○		
Driver's seat height adjuster (standard when sports front seats are specified)	○	○ ⁴	●	●
Fold-flat front passenger's seat (not rake-adjustable. Not available with heated or sports seat options)		○		
Rear seat with fold-flat facility and 60/40 split seat back				●
Electrically heated front seats		□ ⁵	□	□

Interior

Standard features • Fade up/fade down interior courtesy light • Twin sunvisors and dipping rear-view mirror • Air blend heater with four-speed fan • Cabin pollen filter and odour-reducing activated charcoal filter • Overhead storage shelf • Front door armrests • Front door pockets • Centre console with drinks holder • Carpeted cabin area

Additional features	Expression	Combo	SE	Crew van
Air conditioning and air recirculation facility (includes uprated alternator) ²		<input type="radio"/>	<input type="radio"/>	<input type="radio"/>
Front passenger's underseat storage tray		<input type="checkbox"/>	<input type="checkbox"/>	<input type="checkbox"/>
Front map reading lights		<input type="checkbox"/>	<input type="checkbox"/>	<input type="checkbox"/>
Cloth front door trim inserts				●
Carpeted rear passengers' floor				●
Cigar lighter	<input type="checkbox"/>	<input type="checkbox"/>	<input type="checkbox"/>	<input type="checkbox"/>
Front ashtray	<input type="checkbox"/>	<input type="checkbox"/>	<input type="checkbox"/>	<input type="checkbox"/>

Security

Standard features • Remote control central deadlocking (doors) • Electronic theft protection for audio equipment • Electronic engine deadlock immobiliser • 'Key left in ignition' audible warning • Visible Vehicle Identification Number (VIN) • Steering column lock • Freewheeling door locks

Additional feature	Expression	Combo	SE	Crew van
Remote control ultrasonic security alarm system (not available with Easytronic transmission) ⁴		<input type="radio"/>	<input type="radio"/>	<input type="radio"/>

Load area

Standard features • Unglazed rear doors (90°/180° opening) • Loadspace sidewall half-height protection panelling • Load restraint lashing eyes • Illuminated load area

Additional features	Expression	Combo	SE	Crew van
Half-height steel bulkhead	●	●	●	
Glazed rear doors (90°/180° opening) – includes high-level LED brake lights	<input type="radio"/>	<input type="radio"/>	<input type="radio"/>	<input type="radio"/>
Tailgate with heated window and wash/wipe facility	<input type="radio"/>	<input type="radio"/>	<input type="radio"/>	<input type="radio"/>
Nearside sliding side-access door	<input type="radio"/>	<input type="radio"/>	●	
Offside and nearside sliding side-access doors	<input type="radio"/>	<input type="radio"/>		●
Offside sliding side-access door			<input type="radio"/>	
FlexCargo fold-flat front passenger's seat (not rake-adjustable) and hinged, movable bulkhead (unavailable in conjunction with sports front seats)	<input type="radio"/>	<input type="radio"/>		
Upper load restraint mesh ³	<input type="radio"/>	<input type="radio"/>		
Rear internal working lights (2 x 20W)	<input type="radio"/>	<input type="radio"/>	<input type="radio"/>	
Load area floor mat	<input type="radio"/>	<input type="radio"/>	<input type="radio"/>	●
Load area headlining and storage net pockets				●
Retractable load area cover				●



Air conditioning and air recirculation.

- = Standard equipment.
- = Optional at extra cost.
- = Only available as part of an extra-cost option pack.

- 1 = The Traffic Message Channel (TMC) is a specific application of RDS used for broadcasting real-time traffic information.
- 2 = Also available as part of the Maxx Function Pack.
- 3 = Not available in conjunction with sports front seats, fold-flat front passenger's seat or FlexCargo options.
- 4 = Driver's seat height adjuster and remote control ultrasonic security alarm system are also available as part of optional Function Pack A or B.
- 5 = Not available with fold-flat front passenger's seat or FlexCargo options.
- 6 = Remote control ultrasonic security alarm system only available in conjunction with unglazed rear doors, tailgate or Function Pack A or B.
- 7 = Glazed rear doors also available as part of optional Function Pack A.



Electrically operated front windows.



Remote control ultrasonic security alarm system.

- = Standard equipment.
- = Optional at extra cost.
- N/C = No-cost option.
- = Only available as part of an extra-cost option pack.

- 2 = Also available as part of the Maxx Function Pack.
- 5 = Not available with fold-flat front passenger's seat or FlexCargo options.
- 8 = Easytronic transmission is not available when either Function Pack A or B is specified.

Mechanical

Standard features • Five-speed manual gearbox • Electric power-assisted steering

Additional features	Expression	Combo	SE	Crew van
Easytronic five-speed transmission (1.3CDTi 16v) ⁸		○	○	○
Up-rated alternator (standard on 1.7CDTi 16v models and when air conditioning is specified)	○	○	○	○
Underbody protection and increased ground clearance for bad road usage	○	○		○

Exterior

Standard features • Lights-on audible warning • H7 halogen headlights • Electric headlight beam levelling • Two-speed windscreen wipers with variable intermittent wipe and electric screenwash • Body side-protection mouldings • Twin internally adjustable and foldable door mirrors (wide-angle on driver's side) • Green-tinted glass • Reversing light • Rear fog light

Additional features	Expression	Combo	SE	Crew van
Front fog lights		□	□	□
Electrically operated front windows with safety autoreverse and one-touch facility ²		○	○	○
Electrically adjustable/heated body-colour door mirrors ²		○	○	○
Heated rear windows		□	□	□
Intermittent rear window wash/wipers		□	□	□
Body-colour front and rear quarter bumpers and body-colour door mirrors		□	●	□
Tyre inflation kit in lieu of spare wheel	●	N/C	N/C	N/C
Two-coat metallic or pearlescent paint		○	○	○
Special paint (restrictions apply – please consult your retailer for availability)		○		○

Option packs

	Expression	Combo	SE	Crew van
Function Pack A⁸ • Front passenger's underseat storage tray • Driver's seat height adjuster • Remote control ultrasonic security alarm system • Glazed rear doors • Heated rear windows • Intermittent rear window wash/wipers • Front map reading lights		○	○	○
Function Pack B⁸ • Front passenger's underseat storage tray • Driver's seat height adjuster • Remote control ultrasonic security alarm system • Unglazed rear doors • Front map reading lights		○	○	○
Maxx Function Pack • Air conditioning and air recirculation facility • Electrically operated front windows with safety autoreverse and one-touch facility • Electrically adjustable/heated body-colour door mirrors • Sports front seats in Sensor dark charcoal trim with increased lateral and lumbar support		○		○
Maxx Styling Pack • Body-colour front and rear quarter bumpers • Body-colour door mirrors • 15-inch alloy wheels (steel spare) with 185/60 R 15 tyres		○	●	○
Winter Pack • Electrically heated front seats • Front fog lights		○ ⁵	○	○
Smoker Pack • Cigar lighter • Front ashtray	○	○	○	○

Engines

	1.3CDTi 16v ECOTEC-4	1.7CDTi 16v ECOTEC-4
Fuel type	Diesel	Diesel
Capacity	1248cc	1686cc
Maximum power	75PS (55kW) @ 4000rpm	100PS (74kW) @ 4400rpm
Maximum torque	170Nm (125 lb.ft.) @ 1750-2500rpm	240Nm (177 lb.ft.) @ 2300rpm
Configuration	4 cylinders, 4 valves per cylinder, double overhead camshafts	
Fuel/induction system	Variable geometry turbocharger with intercooler. Common rail fuel injection	
Emission compliance	Euro 4	
Service interval	20,000 miles or one-year (whichever occurs sooner)	

Transmission ratios

<i>Manual 5-speed</i>	Clutch diameter	Gear ratios (mph/1000rpm)					Final drive ratio
		1	2	3	4	5	
1700 1.3CDTi 16v	216mm	3.73:1 (4.6)	1.96:1 (8.9)	1.31:1 (13.3)	0.95:1 (18.2)	0.76:1 (22.8)	3.94:1
2000 1.3CDTi 16v	216mm	3.73:1 (4.7)	1.96:1 (8.9)	1.31:1 (13.3)	0.95:1 (18.3)	0.76:1 (22.9)	3.94:1
1700/2000 1.7CDTi 16v	228mm	3.58:1 (5.0)	1.89:1 (9.4)	1.19:1 (15.0)	0.85:1 (21.0)	0.69:1 (25.9)	3.84:1

Fuel economy and emissions

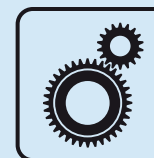
<i>1700 Combo</i>	Fuel economy mpg (litres/100km)			CO ₂ emissions (g/km)
	Urban driving	Extra-urban driving	Combined figure	
1.3CDTi 16v ecoFLEX	46.3 (6.1)	62.8 (4.5)	55.4 (5.1)	134
1.3CDTi 16v ecoFLEX Easytronic	47.9 (5.9)	62.8 (4.5)	56.5 (5.0)	135
1.7CDTi 16v	42.8 (6.6)	64.2 (4.4)	54.3 (5.2)	140
<i>2000 Combo/Crew van</i>				
1.3CDTi 16v	45.6 (6.2)	61.4 (4.6)	54.3 (5.2)	139
1.3CDTi 16v Easytronic	47.1 (6.0)	61.4 (4.6)	55.4 (5.1)	138
1.7CDTi 16v	42.2 (6.7)	62.8 (4.5)	53.3 (5.3)	143

Fuel consumption and CO₂ emission data complies with the relevant EU regulations. **Important:** the results given relate to the particular vehicle tested; inevitably there are differences between individual vehicles of the same model. Driving style, road and traffic conditions, vehicle mileage and standard of maintenance may also affect fuel consumption.



75PS/100PS

Choice of common rail turbo diesel engines



Easytronic

Five-speed easytronic transmission available (1.3CDTi 16v excl. Expression)



Easytronic transmission.



15-inch alloy wheels.

Vauxhall Assistance and warranties*

Every Combo comes with:

- A three-year vehicle warranty consisting of a one year/unlimited mileage manufacturer's warranty and a second and third year manufacturer's warranty with a 60,000 miles limitation
- Vauxhall Assistance for 12 months from first registration
- Six years' body panel anti-perforation warranty

* = Warranty is only available on vehicles sourced from General Motors UK Limited. Terms and conditions apply – please see your Vauxhall retailer for details.

Transmissions

- Front-wheel drive
- Five-speed manual gearbox
- Five-speed Easytronic transmission – available at extra cost on 1.3CDTi 16v models (excluding Expression). Choose the optional Easytronic transmission and you'll get a five-speed manual gearbox with a fully automatic mode. In manual mode, you simply push the lever forward or back to shift gears up or down. Switch to fully automatic mode and it has many of the features of a regular automatic including a kickdown function. There's no clutch pedal so you can drive it on an automatic-only driving licence
- Hydraulically actuated, asbestos-free, self-adjusting single-plate clutch

Steering

- Electric power-assisted rack and pinion system
- Energy-absorbing steering column
- Turning circle:
 - Kerb-to-kerb – 10.82m (35.5ft.)
 - Wall-to-wall – 11.25m (36.9ft.)
- Turns lock-to-lock: 2.7

Suspension

Front: Independent. MacPherson struts with coil springs, gas-pressure dampers. Anti-roll bar.

Rear: Torsion tube with compound links, progressive-rate double conical mini-block springs and gas pressure dampers.

Brakes

- Anti-lock Braking System (ABS) with Electronic Brakeforce Distribution (EBD)
- Emergency Brake Assist (EBA)
- Dual circuit, diagonally split servo-assisted system
- Plastic-coated brake pipes

Front ventilated disc brakes:
260mm diameter (1700 models).
280mm diameter (2000 models).

Rear disc brakes:
264mm diameter
(2000 and 1.7CDTi 16v models).

Rear self-adjusting drum brakes:
230mm diameter
(1700 models excluding 1.7CDTi 16v).

Wheels and tyres

- 14-inch steel wheels with 175/70 R 14 tyres and wheel centre covers (1700 models excluding SE and 1.7CDTi 16v)
- 15-inch steel wheels with 185/60 R 15 tyres and full-diameter flush covers (2000 excluding SE, crew van and 1.7CDTi 16v models)
- 15-inch alloy wheels (steel spare) with 185/60 R 15 tyres. Standard on SE models and optional as part of the Maxx Styling Pack
- Tyre inflation kit standard on Expression models available at no extra cost, in lieu of spare wheel, on all other models

Electrics

Alternator:
1.3CDTi 16v – 70A.
1.3CDTi 16v with optional air conditioning – 100A.
1.7CDTi – 100A.

Maintenance-free battery:
1.3CDTi 16v/1.7CDTi 16v – 60Ah.
1.3CDTi 16v/1.7CDTi 16v with optional air conditioning – 70Ah.

Fuel tank capacity

52 litres (11.4 gallons).

Weights and towing data

Model	UK plated weights and kerbweights kg						Payload kg	Towing weights Trailer with brakes (without brakes) kg	Plated Gross Combination Weights (GCW) kg
	Front axle		Rear axle		GVW	Total Kerb			
	Plated	Kerb	Plated	Kerb					
1700 Expression 1.3CDTi 16v ecoFLEX	865	717	960	471	1805	1188	617	1000 (450)	2815
1700 1.3CDTi 16v ecoFLEX	865	713	960	497	1805	1210	595	1000 (450)	2815
1700 1.3CDTi 16v (a/c) ecoFLEX	895	743	960	497	1835	1240	595	1000 (450)	2815
1700 SE 1.3CDTi 16v ecoFLEX	865	719	960	514	1805	1233	572	1000 (450)	2815
1700 SE 1.3CDTi 16v (a/c) ecoFLEX	895	749	960	514	1835	1263	572	1000 (450)	2815
2000 1.3CDTi 16v	910	713	1110	497	1995	1210	785	1000 (450)	2815
2000 1.3CDTi 16v (a/c)	910	743	1110	497	1995	1240	755	1000 (450)	2815
2000 SE 1.3CDTi 16v	910	719	1110	514	1995	1233	762	1000 (450)	2815
2000 SE 1.3CDTi 16v (a/c)	910	749	1110	514	1995	1263	732	1000 (450)	2815
2000 1.3CDTi 16v crew van	910	723	1110	564	1995	1287	708	1000 (450)	2815
2000 1.3CDTi 16v crew van (a/c)	910	753	1110	564	1995	1317	678	1000 (450)	2815
1700 1.7CDTi 16v	900	757	960	495	1840	1252	588	1000 (450)	2815
1700 1.7CDTi 16v (a/c)	945	787	960	495	1870	1282	588	1000 (450)	2815
2000 1.7CDTi 16v	930	757	1110	495	1995	1252	743	1000 (450)	2815
2000 1.7CDTi 16v (a/c)	945	787	1110	495	1995	1282	713	1000 (450)	2815
2000 1.7CDTi 16v crew van	910	767	1110	562	1995	1329	666	1000 (450)	2815
2000 1.7CDTi 16v crew van (a/c)	940	797	1110	562	1995	1359	636	1000 (450)	2815

a/c = Air conditioning.

Note: Kerbweights for standard vehicles include coolant, oil, 90% full fuel tank and spare wheel (where fitted). They will vary according to the vehicle specification (including options and accessories) with a corresponding variation in payload. **Payload figures** do not allow for the weight of the driver, or any passengers, which should therefore be deducted from the figures shown and are subject to correct weight distribution. **Gross plated weights** (including axle weights) quoted on the vehicle plate must never be exceeded. **Roof load** should not exceed 100kg including the weight of the roof rack/carrier.

Insurance groups

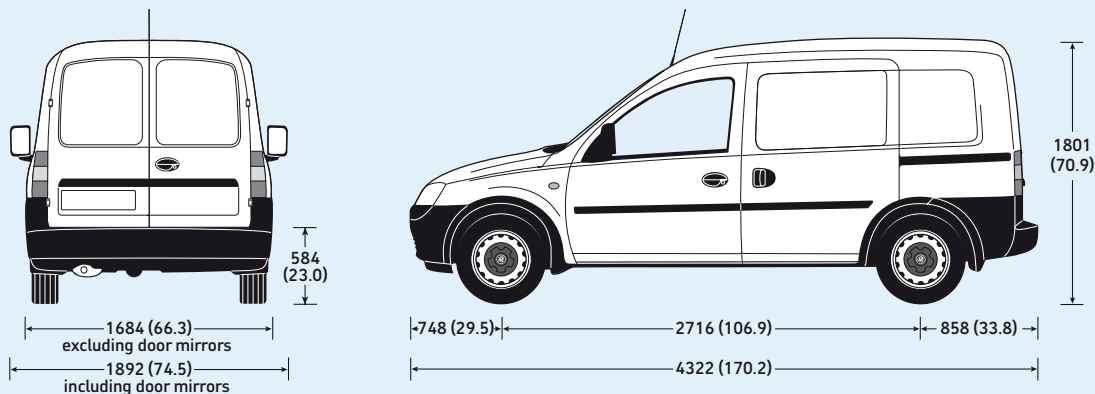
All 1700 models (excluding SE) – 1ET2.
1.3CDTi 16v 2000 models
(excluding SE and crew van) – 1ET2.
All other 2000 models and SE – 2ET2.

As recommended by the Association of British Insurers.

Body

- Six-year body panel anti-perforation warranty
- Extensive anti-corrosion protection
- Aerodynamic drag co-efficient: Cd 0.346
- Galvanised body shell
- Front and rear towing eyes

Dimensions millimetres (inches)



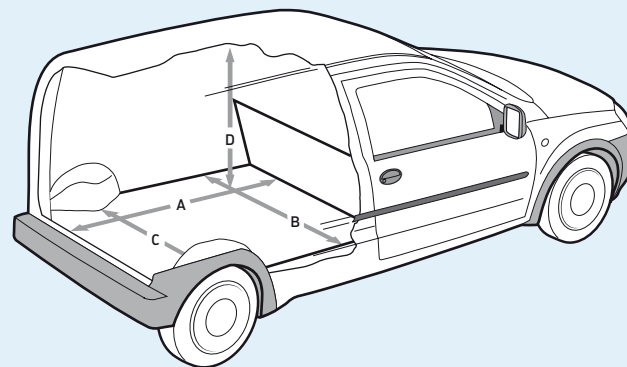
All heights are shown unladen.

Loadspace dimensions

Maximum load length	mm (inches)
Standard vehicle (A)	1787 (70.3)
With optional FlexCargo	2700 (106.3)
Crew van with seats up	980 (38.6)
Crew van with seats down	1680 (66.1)
Maximum load width	
At widest point (B)	1348 (53.1)
Between wheel arches (C)	1107 (43.6)
Maximum load height	
Standard vehicle (D)	1175 (46.3)
Crew van – minimum	1140 (44.9)
Crew van – maximum	1170 (46.1)
Rear and side load door(s)	
Loading height (unladen)	584 (23.0)
Rear door aperture height	1139 (44.8)
Rear door aperture width	1238 (48.7)
Side door aperture height	913 (35.9)
Side door aperture width	620 (24.4)

Loadspace volume

SAE method	cu.m (cu.ft)
Without optional FlexCargo	2.76 (97.5)
With optional FlexCargo	3.20 (113.0)
Crew van with seats down	2.70 (95.3)
VDA method	cu.m (cu.ft)
Without optional FlexCargo	2.39 (84.4)
With optional FlexCargo	2.88 (101.7)
Crew van with seats down	2.32 (81.9)



Glossary of terms

Plated weight

The maximum weight to which a vehicle or an axle may be loaded, determined either by the design of the components or by legislation. All commercial vehicles must carry a manufacturer's 'plate' showing the vehicle and axle gross 'plated weights'. It is an offence to drive a vehicle in a condition where any of these weights are exceeded.

Kerbweight

The weight of the complete vehicle in standard form, excluding payload and driver but including coolant, oil, 90% full fuel tank and spare wheel where fitted. Kerbweights quoted in Vauxhall brochures are subject to manufacturing tolerances and to the fitment of optional equipment and accessories. Where load capacity is critical the actual kerbweight should be obtained by weighing the vehicle on a calibrated public weighbridge.

Gross Vehicle Weight (GVW)

The total permissible weight of a vehicle including payload and passengers, as shown on the manufacturer's plate.

Gross Combination Weight (GCW)

The maximum permissible weight of a vehicle, including payload and passengers, combined with the total weight of any trailer it is towing. The maximum GCW weight limit is quoted on the vehicle plate and must not be exceeded.

Payload

The total permissible weight that can be carried without exceeding the vehicle's plated weight. This can be obtained by deducting the kerbweight from the plated Gross Vehicle Weight (GVW). Please note: the payload figure does not allow for the weight of the driver or any passengers which should therefore be deducted from the figures shown and are also subject to correct weight distribution.

Maximum towing weight

The maximum weight of any trailer and its load which may be towed within the limit of the vehicle's plated Gross Combination Weight (GCW). It is based on the ability of the vehicle – at full GCW – to restart on a 12% gradient, which is approximately 1 in 8.3, at sea level. At altitudes above 1500 metres, the engine output may drop with a corresponding reduction in towing capability. It is the operator's responsibility to ensure that the trailer noseweight does not cause the rear axle plated weight of the towing vehicle to be exceeded.

Always fit Vauxhall towing attachments and accessories available from your Vauxhall Commercial Vehicle retailer. They are designed specifically for Vauxhall models and carry a 12-month warranty.

Trust Vauxhall

Protecting the environment

Vauxhall's commitment to the environment is demonstrated by our products' many environmental awards, won both through the use of more recycled materials and by becoming cleaner and more efficient. For information on Vauxhall's efforts to achieve an environmentally sustainable future, see www.vauxhall.co.uk/recycling

Fleet Customer Services

Our dedicated support services for fleet managers includes factory demonstrators and information on whole life costs, company car and van taxation and finance. For further information please call **0870 010 0651**.

Vauxhall Extended Warranty

For complete peace of mind Vauxhall offers an extended warranty that can be purchased on an annual basis following the expiry of the original new vehicle warranty. It covers most mechanical and electrical components. Terms and conditions apply, for further details please contact your local Vauxhall Commercial Vehicle retailer.



When you have finished with this brochure please recycle it

Business Lease

Business Lease, from GMAC, offers the versatility of a purchase-based finance plan, while making the most efficient use of tax and cash-flow benefits for VAT-registered business users. It's available for all Vauxhall Commercial Vehicles up to 12 months old and offers highly flexible term lengths, variable deposits and a choice of payment profiles. Ask your retailer for full details.

Business First

Available to business users only, Business First enables you to drive a new vehicle without a large, initial financial outlay. You pay to use the vehicle, not to own it. The vehicle is provided over a predetermined period, and when that period comes to an end the vehicle is returned. Ask your retailer for full details.

Servicing and maintenance

The best way to maximise the performance and reliability of your Vauxhall is to have all routine servicing and maintenance carried out at a Vauxhall Commercial Vehicle retailer. Nationwide there are over 250 light commercial vehicle retailers and a further 195 heavy commercial vehicle retailers.

In the event of an accident...

Vauxhall Accident Support helps keep you mobile following an accident. Benefits include scene-of-accident advice, message service, assistance with claims and vehicle recovery. For further details call **0800 010 304**.

Premier Service Centres

Our Premier Service Centres feature a guaranteed same day repair service (provided the parts are in stock) and an appointment-free service for diagnosis and repairs taking less than 90 minutes. All repairs are carried out within 24 hours of the diagnosis.

For more information...

For a brochure on any Vauxhall model (up to a maximum of three per caller) or location of your nearest retailer, call **0845 600 1500**.

Alternatively, details can be found on our website at: www.vauxhall.co.uk/vans

Proud Sponsor of Home Nations Football



Every effort has been made to ensure that the contents of this publication were accurate and up-to-date at the time of going to press (February 2011). Vauxhall vehicles are equipped with components manufactured by various General Motors operating units and outside suppliers. The Company reserves the right to alter specifications and withdraw products from sale without notice. Any such alterations will be notified to Vauxhall retailers at the earliest opportunity; please consult your local retailer for the latest information. The specifications detailed within this brochure are not necessarily applicable to alternative models such as Special Editions. Details of any such models will be contained in specific literature or found on the Vauxhall website. Please note that Vauxhall retailers are not the agents of General Motors UK Limited and are not authorised to bind the Company by any specific or implied undertaking or representation. It is advisable to ensure that your motor insurance policy provides adequate cover for additional fitted options and accessories. Please note accessories shown are for illustrative purposes only. As part of Vauxhall's policy of environmental care, this brochure is printed on paper manufactured using Elemental Chlorine Free pulps from specially farmed, sustainable timber resources. All rights reserved. No part of this publication may be reproduced in any form or by any means, without the prior written permission of General Motors UK Limited.

VM1009144 ©2011 General Motors UK Limited Published February 2011 General Motors UK Limited, Luton LU1 3YT

COMMERCIAL VEHICLES
The Wheels of Business



VAUXHALL